

EPN[®]

STRUCTURED CABLING SYSTEMS

NEW



Slim Type Toolless Keystone Jack



X KTVNL - X 1 X

CAT. X	TYPE	COLOR	
3 : C3	U : Unshield	BK : Black	OR : Orange
E : C5e	S : Half shielded	I V : Ivory	YL : Yellow
6 : C6	F : Fully shielded	RD : Red	GY : Gray
G : C6A		GN : Green	MT : Metal
		WH : White	TIN : Tin
		BL : Blue	

XKTVNL-X1X : Toolless IDC Block
 3KTVNL-U1X666 : RJ12 6P6C6u

Toolless Keystone Jack



X KTHL - X 1 X

CAT. X	TYPE	COLOR	
3 : C3	U : Unshield	BK : Black	OR : Orange
E : C5e	S : Half shielded	I V : Ivory	YL : Yellow
6 : C6		RD : Red	GY : Gray
G : C6A		GN : Green	MT : Metal
		WH : White	TIN : Tin
		BL : Blue	

XKTHL-X1X : Toolless IDC Block
 3KTHL-U1X666 : RJ12 6P6C6u

Tooless Surface Mount Box



X BXML - U1 X MINI TYPE

CAT. X	COLOR
3 : C3 E : C5e 6 : C6 G : C6A	WH : White I V : Ivory

XBXML-U1X : Tooless IDC Block
3BXML-U1X666 : RJ12 6P6C6u



X BXL - X X X

CAT. X	TYPE	PORT	COLOR
3 : C3 E : C5e 6 : C6 G : C6A	U : Unshield S : Half shielded	1 : 1 Port RJ45 2 : 2 Ports RJ45	WH : White I V : Ivory

XBXL-UXX : Tooless IDC Block
3BXL-UXX666 : RJ12 6P6C6u

Tooless Inline Coupler



X ICL - X ED X

CAT. X	TYPE	COLOR
3 : C3 E : C5e 6 : C6 G : C6A	U : Unshield S : Half shielded F : Fully shielded	BK : Black WH : White PT : Plated

PT : Fully shielded only (Chromium plated)
3ICL-UEDX666 : RJ12 6P6C6u

Snap Flat Tooless PCB Module

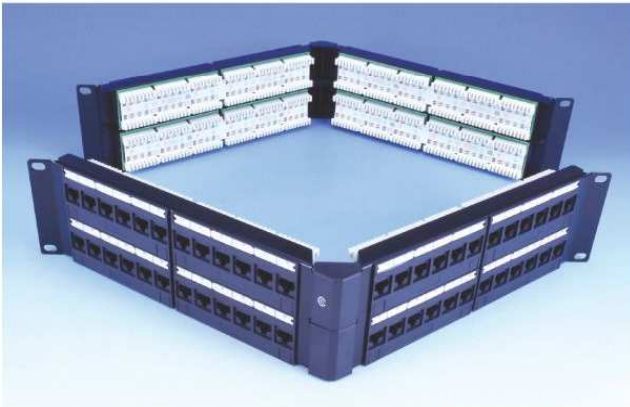


SNP - BML2550 X X X

COLOR	CAT. X	TYPE
WH : White I V : Ivory	E : C5e 6 : C6 G : C6A	U : Unshield S : Half shielded

SNP-BML2550XXX : Tooless IDC Block

19" Angle PCB Module Patch Panel



X PLVM - XX X X

X PLV - XX X X

CAT. X	PORT	IDC CAP	COLOR
3 : C3	24 : 24 Ports	0 : w / o	BK : Black
E : C5e	48 : 48 Ports	1 : w / h	I V : Ivory
6 : C6			
G : C6A			

XPLVM-XXXX : 110 IDC Block
 XPLV-XXXX : Dual IDC Block
 3PLV-XXXX666 : RJ12 6P6C6u



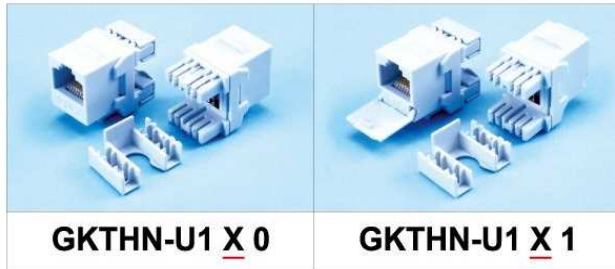
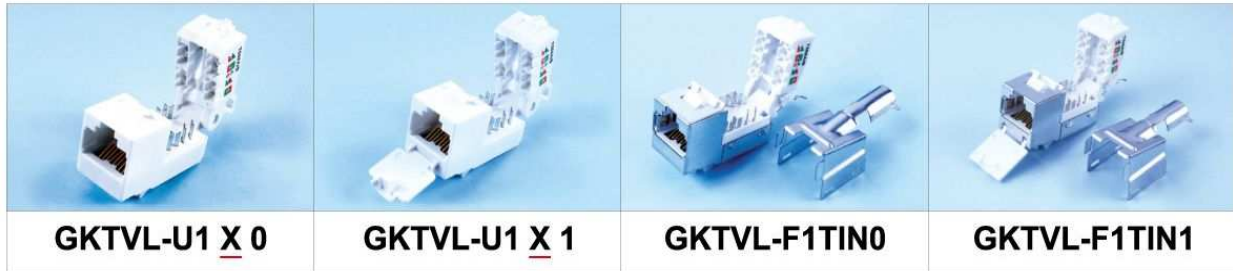
X PLVM - XX X X RM

X PLV - XX X X RM

CAT. X	PORT	IDC CAP	COLOR
3 : C3	24 : 24 Ports	0 : w / o	BK : Black
E : C5e	48 : 48 Ports	1 : w / h	I V : Ivory
6 : C6			
G : C6A			

XPLVM-XXXXRM : 110 IDC Block
 XPLV-XXXXRM : Dual IDC Block
 3PLV-XXXX666RM : RJ12 6P6C6u

C6A Keystone Jack



X
COLOR
BK : Black
WH : White

Tool For C6A Keystone Jack



C6A Inline Coupler



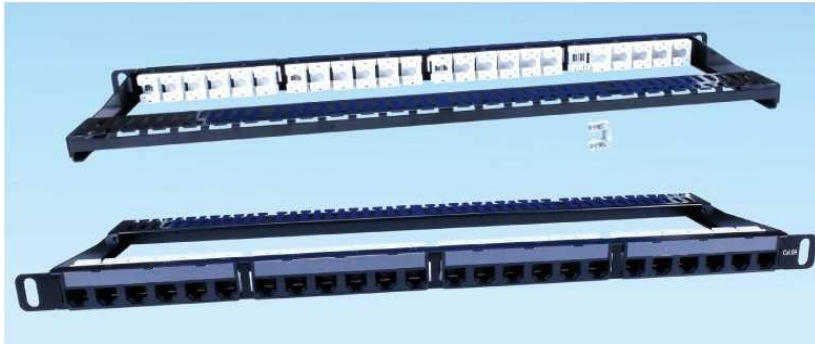
X
COLOR
BK : Black
WH : White

19"-0.5U PCB Module Patch Panel



X PLH - 241BK0.5U

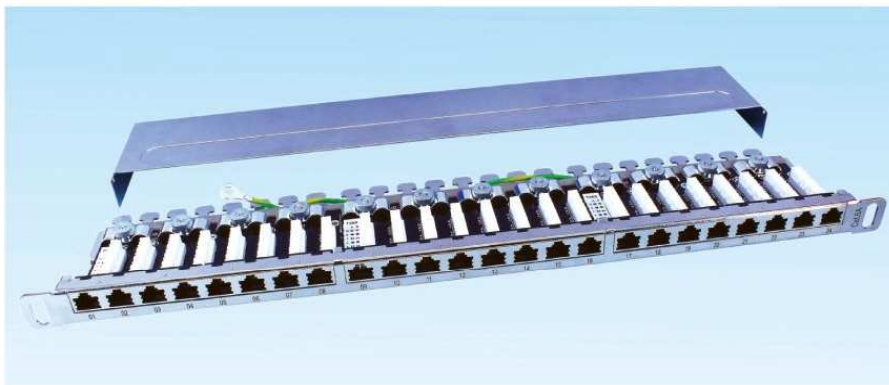
CAT. X
E : C5e
6 : C6
G : C6A



X PLH - 241BKRM0.5U

CAT. X
E : C5e
6 : C6
G : C6A

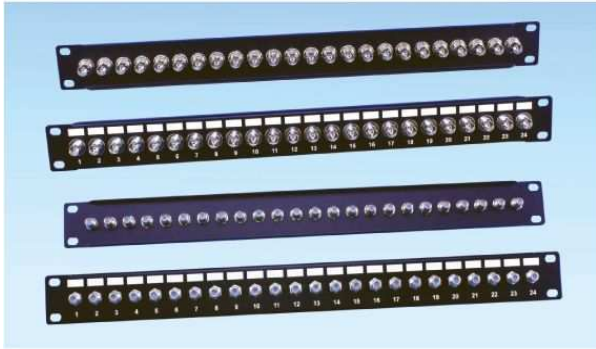
19"-0.5U PCB Module Patch Panel



X PLD - X 24 X 0.5U

CAT. X	TYPE	COLOR
E : C5e	U : Unshield	BK : Black
6 : C6	F : Fully shielded	MT : Metal
G : C6A		

19" Loaded Patch Panel



PLK - XX X DBNC

PLK - XX X HF

PORT	COLOR
12 : 12 Ports 1U	BK : Black
16 : 16 Ports 1U	I V : Ivory
24 : 24 Ports 1U	
32 : 32 Ports 2U	
48 : 48 Ports 2U	

19" Unload Patch Panel



PLLK - XX X

PORT	COLOR
12 : 12 Ports	BK : Black
16 : 16 Ports	I V : Ivory

10" Loaded Patch Panel



PLK10 - XX X DBNC

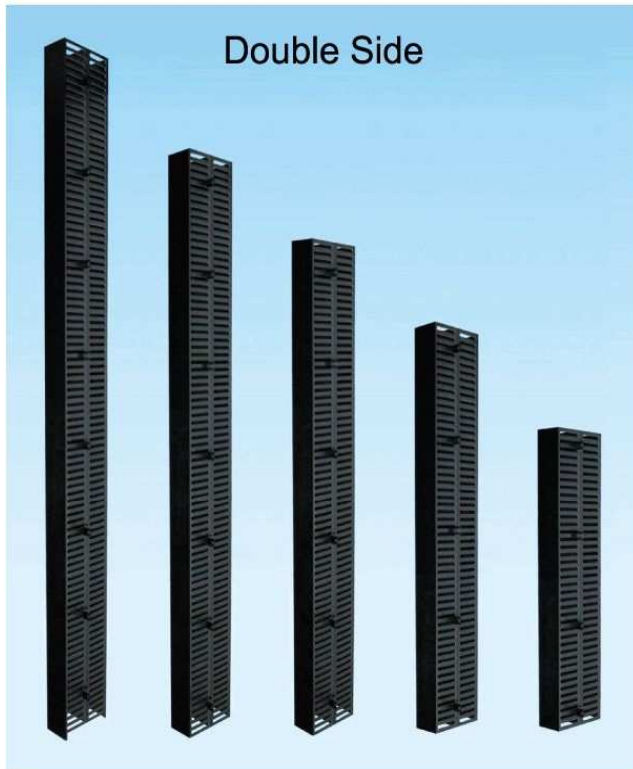
PLK10 - XX X HF

PORT	COLOR
08 : 08 Ports	BK : Black
10 : 10 Ports	I V : Ivory

10" Cable Manager

<p>PLMN10-070 1U-10" Horizontal Cable Management (PC Frame w/h PVC Cover)</p>	<p>PLMN10-2E1U 1U-10" Horizontal Cable Management (Blank Plate 2 Ellipse Holes)</p>	<p>PLMN10-01U 1U-10" Horizontal Cable Management (Blank Plate)</p>

Cable Manager



PLMN-D1303FT

Double Side Trunk Size : 4" x 4" x 3 feet
(PVC Finger Canal w/h PVC Cover DIY Package)

PLMN-D1304FT

Double Side Trunk Size : 4" x 4" x 4 feet
(PVC Finger Canal w/h PVC Cover DIY Package)

PLMN-D1305FT

Double Side Trunk Size : 4" x 4" x 5 feet
(PVC Finger Canal w/h PVC Cover DIY Package)

PLMN-D1306FT

Double Side Trunk Size : 4" x 4" x 6 feet
(PVC Finger Canal w/h PVC Cover DIY Package)

PLMN-D1307FT

Double Side Trunk Size : 4" x 4" x 7 feet
(PVC Finger Canal w/h PVC Cover DIY Package)

PLMN-S1303FT

Single Side Trunk Size : 4" x 4" x 3 feet
(PVC Finger Canal w/h PVC Cover DIY Package)

PLMN-S1304FT

Single Side Trunk Size : 4" x 4" x 4 feet
(PVC Finger Canal w/h PVC Cover DIY Package)

PLMN-S1305FT

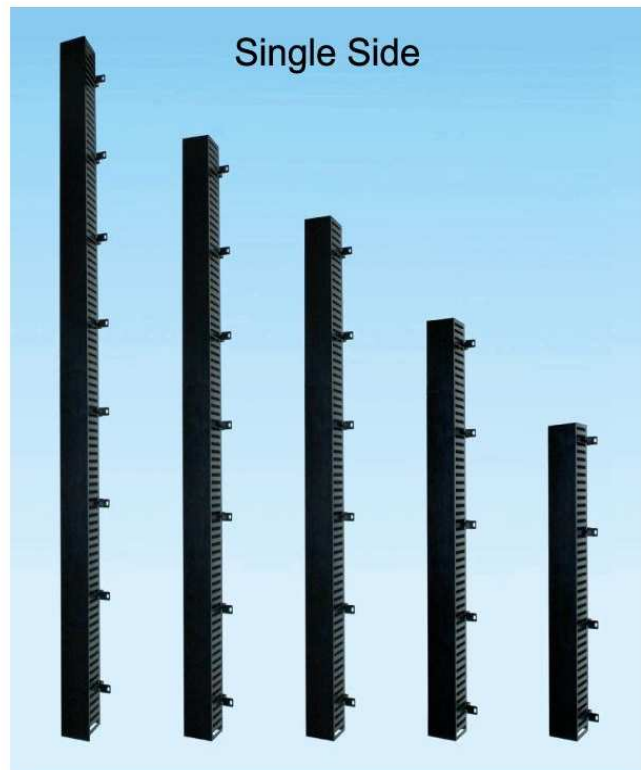
Single Side Trunk Size : 4" x 4" x 5 feet
(PVC Finger Canal w/h PVC Cover DIY Package)

PLMN-S1306FT

Single Side Trunk Size : 4" x 4" x 6 feet
(PVC Finger Canal w/h PVC Cover DIY Package)

PLMN-S1307FT

Single Side Trunk Size : 4" x 4" x 7 feet
(PVC Finger Canal w/h PVC Cover DIY Package)



Snap Flat PCB Module



SNP - BM2550 X X X

COLOR	CAT. X	TYPE
WH : White I V : Ivory	E : C5e 6 : C6 G : C6A	U : Unshield S : Half shielded

SNP-BM2550XXX : Dual IDC Block

Snap Optional Accessories



SNP-A22.545 X AH

SNP-A22.545 X A

SNP-A2538.5 X H

SNP-A2538.5 X



SNP-A2550 X H

SNP-BC2550 X

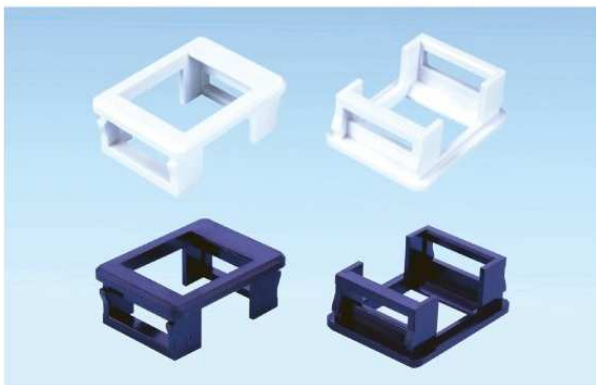
SNP-BC2550 X L

X

COLOR

WH : White
I V : Ivory

Bezel



BZ - KT X

COLOR	
BK : Black	BL : Blue
I V : Ivory	OR : Orange
RD : Red	YL : Yellow
GN : Green	GY : Gray
WH : White	

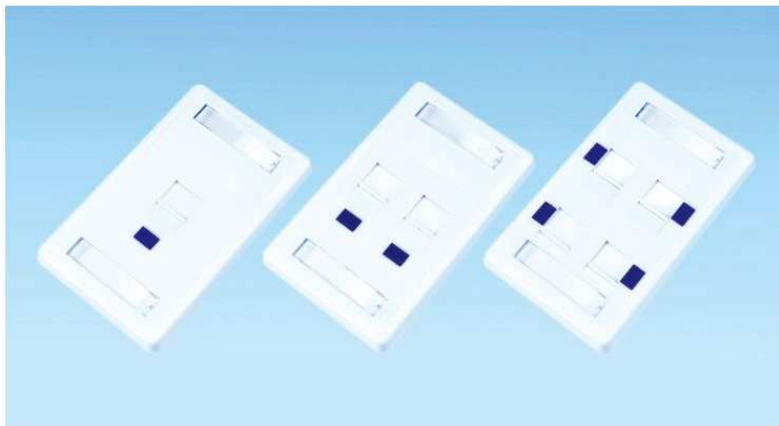
PCB Module Wall Outlet



X GA - X X P X

CAT. X	TYPE	PORT	COLOR
E : C5e 6 : C6 G : C6A	U : Unshield F : Fully shielded	1 : 1 Port 80 x 80 mm 2 : 2 Ports 80 x 80 mm	WH : White I V : Ivory

Faceplate



FPLR - X WH

PORT
1 : 1 Port 70 x 115 mm
2 : 2 Ports 70 x 115 mm
4 : 4 Ports 70 x 115 mm



FPLF - X WH

PORT
1 : 1 Port 86 x 86 mm
2 : 2 Ports 86 x 86 mm
4 : 4 Ports 86 x 86 mm

MultiMedia Keystone Insert

			
KSR-AUSB2WH	KSR-AUSB3WH	KSR-ABUSB2WH	KSR-BUSB2WH
			
KSR-VAHDMIWH	KSR-VAUSB2WH	KSR-VAUSB3WH	KSR-VTRS3.5WH
			
KSR-AHDMILWH	KSR-AHDMISWH		

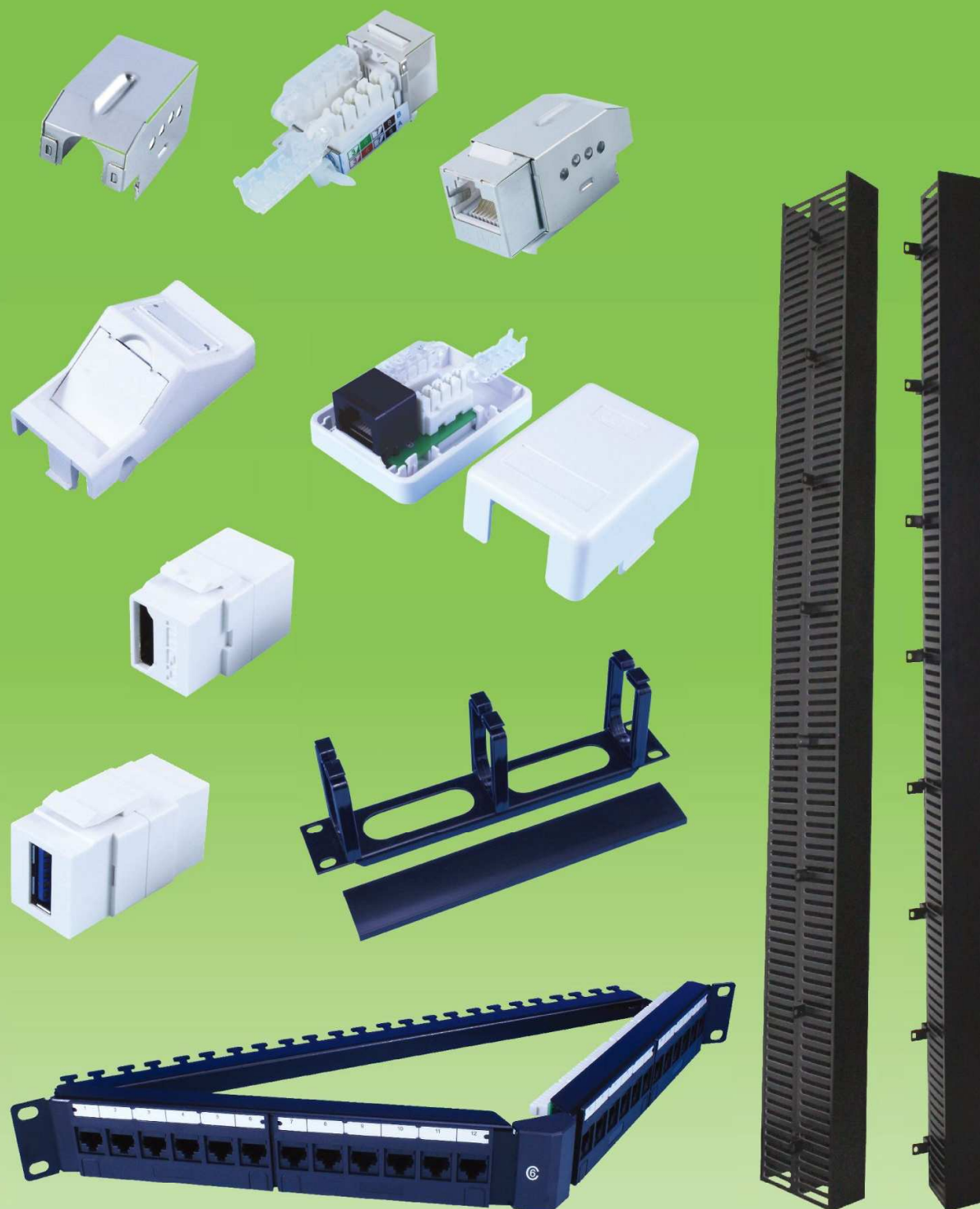
10" Cabinet



CBT - TEAW X U X

HEIGHT (U)	COLOR
6 : 6U	BK : Black
9 : 9U	GY : Gray

For your better life



EPN[®]

EPNEW ELECTRONICS CO., LTD.

7F, No.5, Lane 163, Shing-Yi Rd., Ban-Ciao Dist., New Taipei City, Taiwan

TEL : 886-2-2952-6198 (Rep.)

FAX : 886-2-2951-1479

http : // www.epcorp.com.tw

E-Mail : epnsales@epcorp.com.tw